



SMART DOOR. SMART PHONE. SMART ACCESS.

Modernizing access to facility keys has never been easier or more convenient. Introducing the KnoxEntry Smart system. Knox-tough key storage accessed by a smart phone bluetooth app, managed by KnoxConnect cloud. Easy to implement, supported by Knox.



STREAMLINED ENTRY

Easy-to-use app with streamlined process and automatic updates



FAST, CONVENIENT RETROFIT

Knox lid replaces Supra Trac Lid. Simply remove the old and install the new



RELIABLE & SUPPORTED

Innovative solutions backed by the Knox reputation for support



SOLUTIONS FOR NEW SITES

Complete box with recessed or surface mounting options



TRUSTED & SECURE

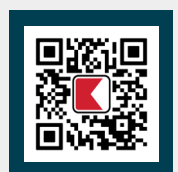
Knox-tough hardware with proven security



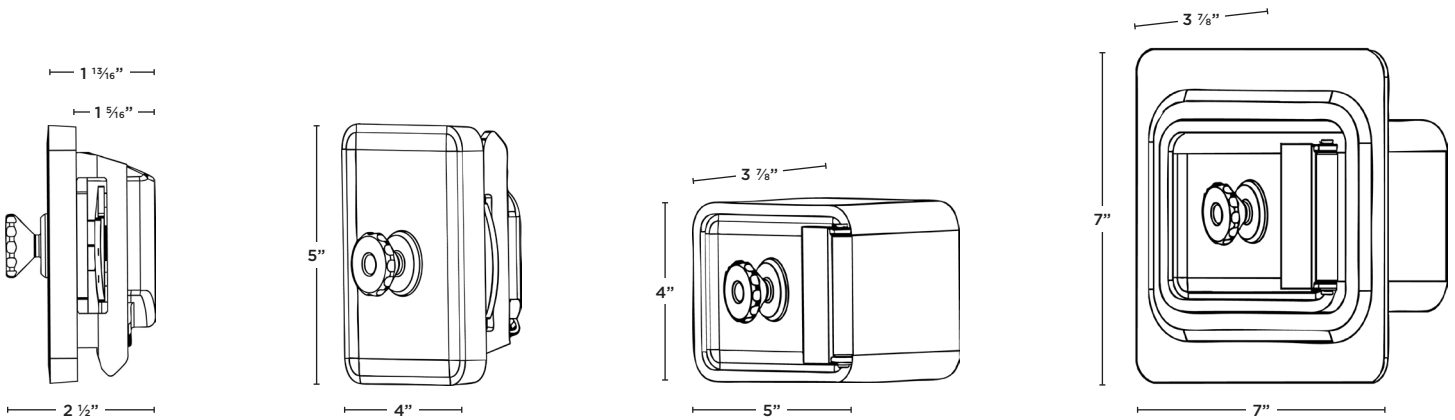
ACCESS SHARING MADE SIMPLE

Share and manage access with contractors and vendors

LEARN MORE: **443.756.0215** | **KNOXBOX.COM/SMARTLID**



SPECIFICATIONS



MECHANICAL SPECIFICATIONS

	Knox SmartLid	Knox SmartBox, Surface Mount	Knox SmartBox, Recessed Mount
Model	KES-3292	KES-3261	KES-3270
Dimensions	5" x 4" x 2 1/2"	4" x 5" x 3 7/8"	7" x 7" x 3 7/8"
Weight	2.97 lb	10 lb	12 lb
Internal Capacity	NA	Up to 10 keys	
Tamper Detection	Compatible with Tamper Switch	Tamper Switch Option	
Construction	Plate Steel with KnoxCoat® Powder Coat		

ELECTRONIC SPECIFICATIONS

Communication	Mobile App with Bluetooth® 5.4*
Power	Sealed LMO battery pack
Operating System	Android 12 or higher iOS 16 or higher
Operating Temp	-30°C to +65°C
Humidity	Up to 95% RH, condensing 30°C to 50°C
Capacity	3,400 cycles
Memory	Minimum of 800 transactions, rolling
Range	3m or less, contactless
Regulatory	UL 1037 pending FCC Part B

*Bluetooth® is a trademark of the Bluetooth SIG



**KNOXENTRY
SMARTBOX**



**KNOXENTRY
SMARTLID**



**MOBILE
APPLICATION**



**KNOXCONNECT®
SOFTWARE**

KNOXENTRY™ SMART ACCESS SYSTEM for BANKS



ABOUT THE KNOX COMPANY

Founded in 1975, Knox is a trusted leader in rapid access solutions. More than 15,000 fire departments, law enforcement agencies, military installations, and commercial, industrial, educational, and residential customers rely on Knox to provide secure, dependable access when it matters most. For nearly 50 years, Knox has developed innovative solutions that enable first responders, facility teams, and authorized personnel to gain fast, safe, and secure entry into buildings and critical infrastructure, reducing forced-entry damage while maximizing safety, continuity, and operational efficiency. Today, these organizations use Knox products to manage access to more than one million properties nationwide.



KNOX COMPANY
1601 W. DEER VALLEY RD
PHOENIX, AZ 85027

T. 800.552.5669

KNOXBOX.COM
INFO@KNOXBOX.COM

MKT-KBSPEC-0815-C